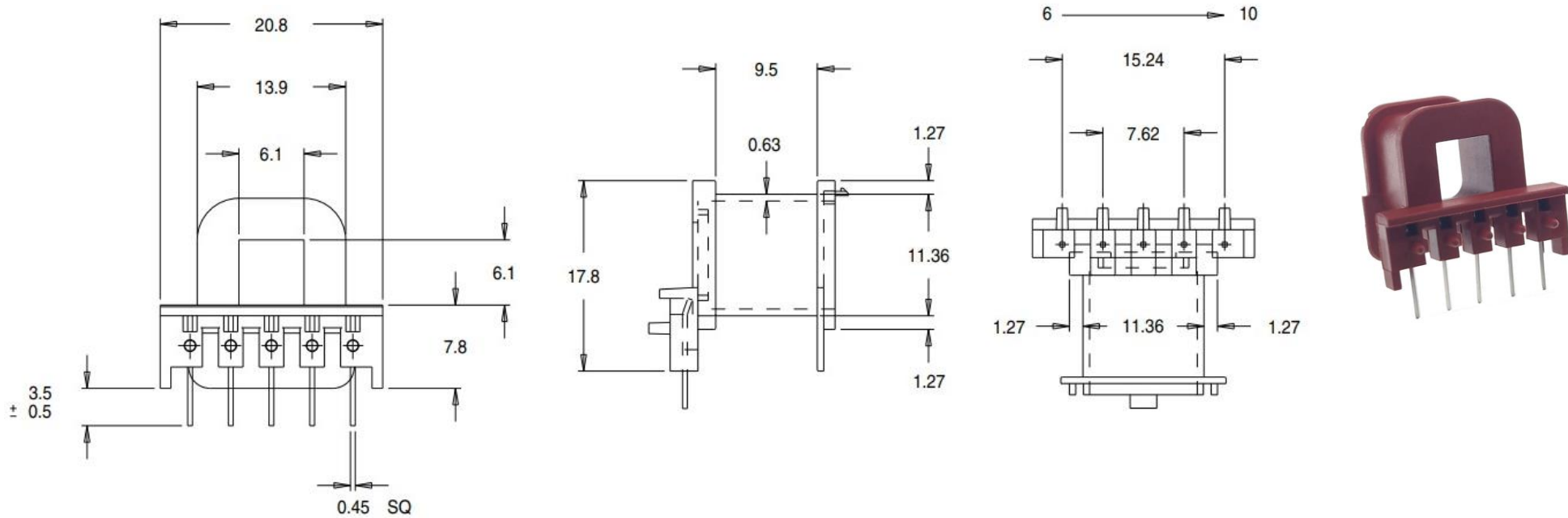




# FE0077



Part Number FE0077	Part Weight (g) 1.25	Carton Quantity 5000	Pinning Configuration TPB-SQ-045 6:7:8:9:10:
Order Code FE0077FGNNAT0001	Material Nylon PA66	Carton Size (mm) 465x315x260	Pin Length (mm) (from standoff) 3.5
Part Description Bobbin E20 H Sec 5P 1S Concentric	<a href="#">Material Datasheets</a>	Related Items n/a	Terminal Pin Material Phosphor Bronze
Product Range E/EF Range	UL Rating UL94V0	3D CAD Image	<a href="#">Compliance information</a>

## MILES - PLATTS

+44 (0)116 264 3850

[milesplatts.co.uk](http://milesplatts.co.uk)

[enquiries@milesplatts.co.uk](mailto:enquiries@milesplatts.co.uk)